



LIGHT ALLOY PEDALS

Model SP-100AL (ALLOY PLATE)
100BL (BLACK PLATE)
100CP (STEEL PLATE)

Super melt forged light alloy body

Quill type

SIZE 62mm ($2\frac{3}{8}$ ")

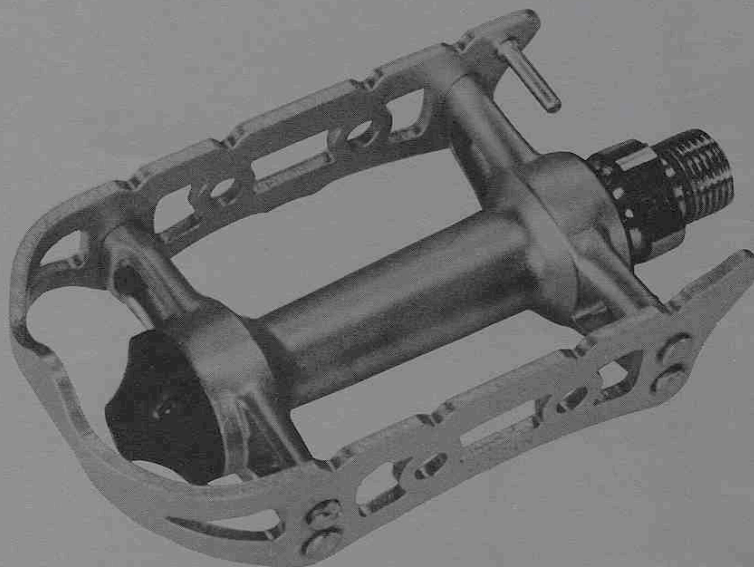
WIDTH 60mm ($2\frac{7}{16}$ ")

THREAD B.C.9/16 x 20T, M14 x P1.5

WEIGHT 100AL. BL 340g (11.95oz)

100CP 440g (15.46oz)

Toe clip, Strap attachable with reflector



SP-100AL

Mode I SP-200AL (ALLOY PLATE)
200BL (BLACK PLATE)

Super melt forged light alloy body

Rat trap type

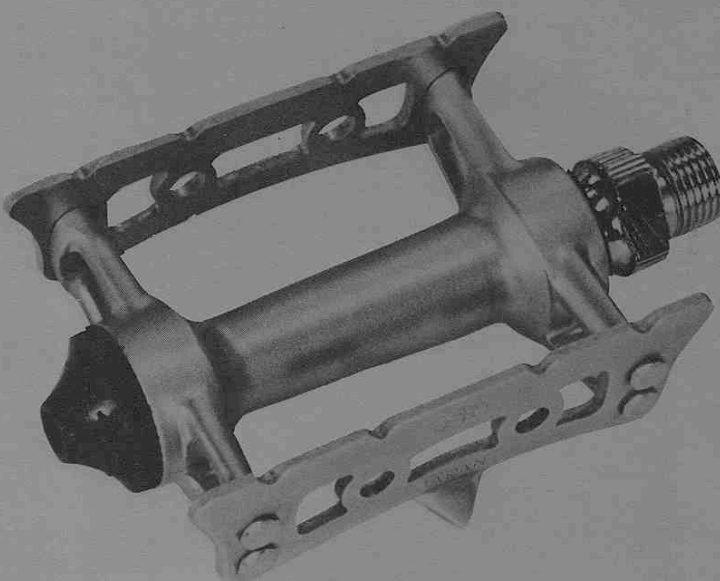
SIZE 62mm ($2\frac{3}{8}$ ")

WIDTH 60mm ($2\frac{7}{16}$ ")

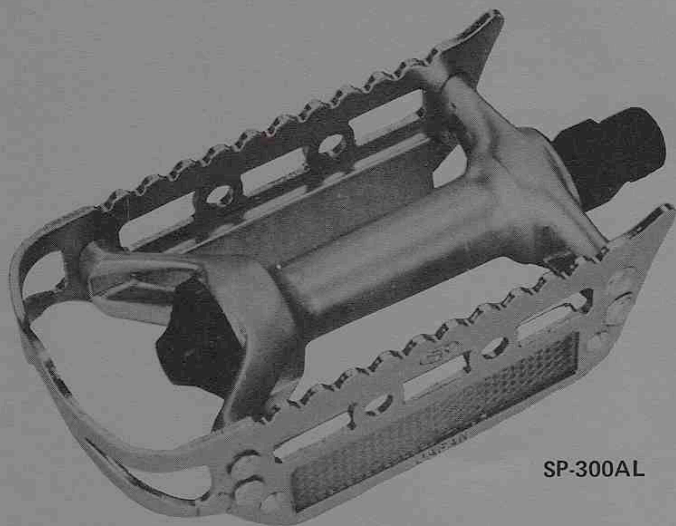
THREAD B.C.9/16 x 20T, M14 x P1.5

WEIGHT 200AL. BL 320g (11.24oz)

Toe clip, Strap attachable



SP-200AL



SP-300AL

**Model SP-300AL (ALLOY PLATE)
300CP (STEEL PLATE)**

Super melt forged light alloy body
Quill type with reflector
SIZE 80mm (3 1/8")
WIDTH 60mm (2 3/8")
THREAD B.C.9/16 x 20T, M14 x P1.5
WEIGHT 300AL 400g (14oz)
300CP 480g (16.87oz)
Toe clip, Strap attachable



SP-400AL

**Model SP-400AL (ALLOY PLATE)
400CP (STEEL PLATE)
400SS (STAINLESS PLATE)**

Super melt forged light alloy body
Rat trap type with reflector
SIZE 80mm (3 1/8")
WIDTH 60mm (2 3/8")
THREAD B.C.9/16 x 20T, M14 x P1.5
WEIGHT 400AL. 430g (15.11oz)
400CP. SS 465g (16.34oz)



SP-401AL

**Model SP-401AL (ALLOY PLATE)
401CP (STEEL PLATE)
401SS (STAINLESS PLATE)**

Super melt forged light alloy body
Rat trap type
SIZE 80mm (3 1/8")
WIDTH 60mm (2 3/8")
THREAD B.C.9/16 x 20T, M14 x P1.5
WEIGHT 401AL. 360g (12.65oz)
401CP. SS 400g (14.05oz)
Toe clip, Strap attachable with reflector

Model SH-300QR

Super melt forged light alloy body

Small frange quick release type

THREAD 1.37" x 24T.P.I.

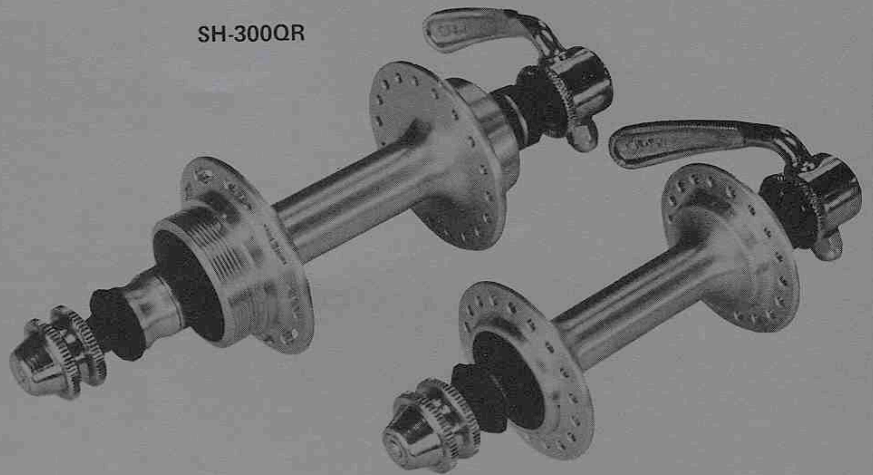
OVER LOCK NUT DIMENSION

F 96mm (3.78") x R124mm (4.88")

F100mm (3.94") x R120mm (4.72")

WEIGHT 575g (20.2oz)

SH-300QR



Model SH-100QR

Super melt forged light alloy body

Large frange quick release type

THREAD 1.37" x 24T.P.I.

OVER LOCK NUT DIMENSION

F 96mm (3.78") x R124mm (4.88")

F100mm (3.94") x R120mm (4.72")

WEIGHT 635g (22.31oz)

SH-100QR



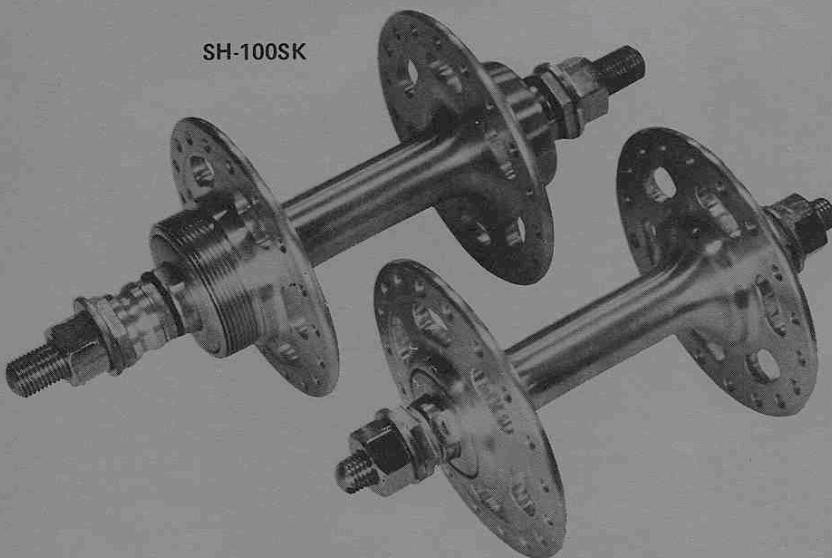
SH-300SK



Model SH-300SK
300SD (Keyless Axle)

Super melt forged light alloy body
Small frange solid type
THREAD 1.37" x 24T.P.I.
OVER LOCK NUT DIMENSION
F 96mm (3.78") x R124mm (4.88")
F100mm (3.94") x R120mm (4.72")
WEIGHT 465g (16.34oz)

SH-100SK



Model SH-100SK
SD (Keyless Axle)

Super melt forged light alloy body
Large frange solid type
THREAD 1.37" x 24T.P.I.
OVER LOCK NUT DIMENSION
F 96mm (3.78") x R124mm (4.88")
F100mm (3.94") x R120mm (4.72")
WEIGHT 525g (18.45oz)



SAKAE RINGYO CO. LTD.

Head Office: 2-15 Aoi, Adachi-ku, Tokyo, Japan

Printed in Japan